

INSTRUCTION MANUAL

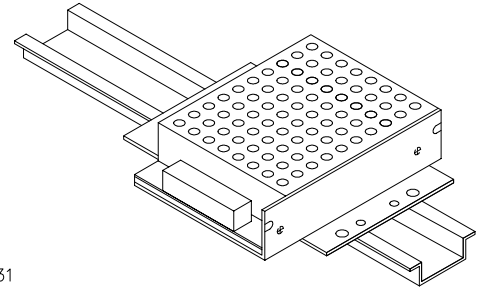


KEPCO An ISO 9001 Company.

**KIT
DIN ECM
-S**

DIN-RAIL MOUNTING KIT FOR SERIES ECM 16W

DESCRIPTION. Kepco KIT, Model DIN ECM-S contains a cover, a mounting plate with left and right mounting clips, and associated hardware (see Table 1) used to install ECM Series 16W power supplies on a DIN rail. The "S" suffix is for mounting along the short dimension (width) as shown in Figure 1. Outline dimensions are shown in Figure 5.



3041831

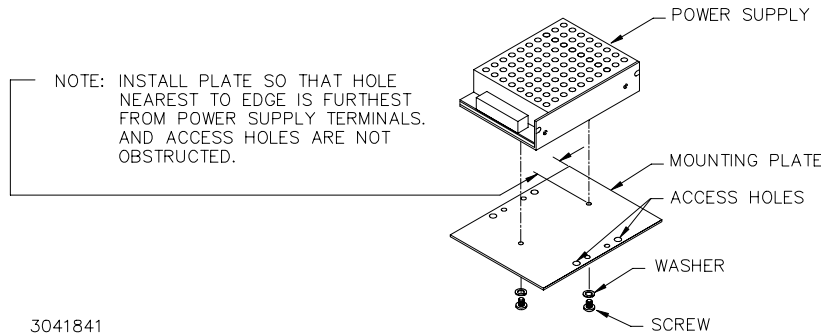
FIGURE 1. S SUFFIX ORIENTATION

TABLE 1. COMPONENTS SUPPLIED

KIT MODEL NO.	CLIP (QTY 2) PART NO.	MOUNTING PLATE (QTY 1) PART NO.	SCREW (QTY 2) PART NO.	WASHER (QTY 2) PART NO.
DIN ECM-16S	108-0365	189-0692	101-0092 (4-40 X 0.312 BHPH)	103-0014 (NO. 4, INT. TOOTH)

INSTALLATION

- INSTALL MOUNTING PLATE.** Attach the mounting plate to the power supply using the hardware supplied (see Figure 2). Install plate so that hole closest to edge is furthest from power supply terminals; and access holes are not obstructed by power supply.



3041841

FIGURE 2. INSTALLING MOUNTING PLATE ON POWER SUPPLY

2. **INSTALL CLIPS.** Snap the two clips into the mounting plate holes (see Figure 3).

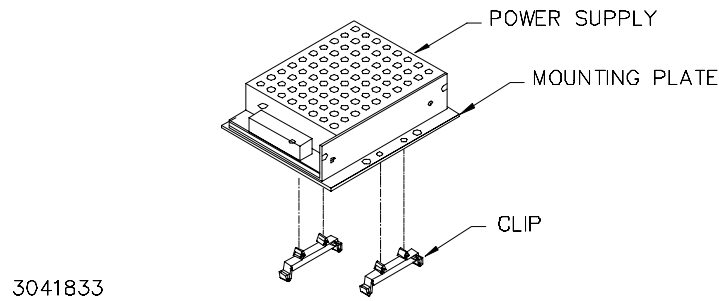


FIGURE 3. INSTALLING CLIPS ON MOUNTING PLATE

3. **INSTALL POWER SUPPLY ON DIN RAIL.** To mount the power supply on the rail insert one end of both clips under one edge of the rail, then snap the other end of the two clips into place (see Figure 4A).

REMOVING POWER SUPPLY FROM DIN RAIL. While grasping the power supply with one hand, Insert a screwdriver into the access holes provided and apply leverage towards the left as shown in Figure 4B to disengage each clip from the rail. Where mounting clips are close together, it may be necessary to apply leverage with two screwdrivers simultaneously.

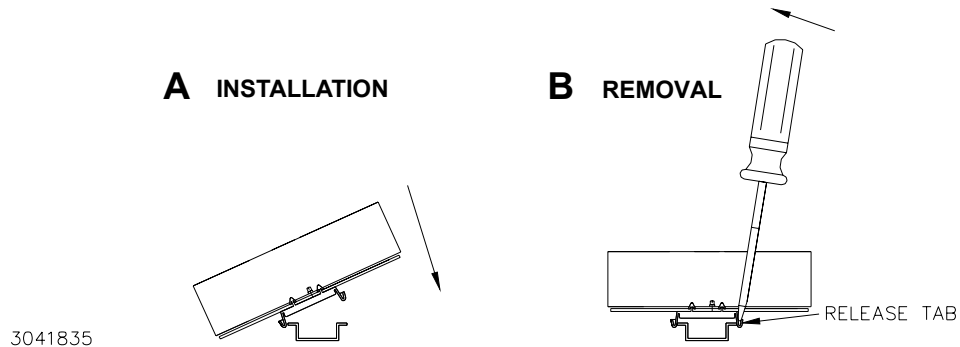


FIGURE 4. INSTALLATION AND REMOVAL OF POWER SUPPLY FROM DIN RAIL

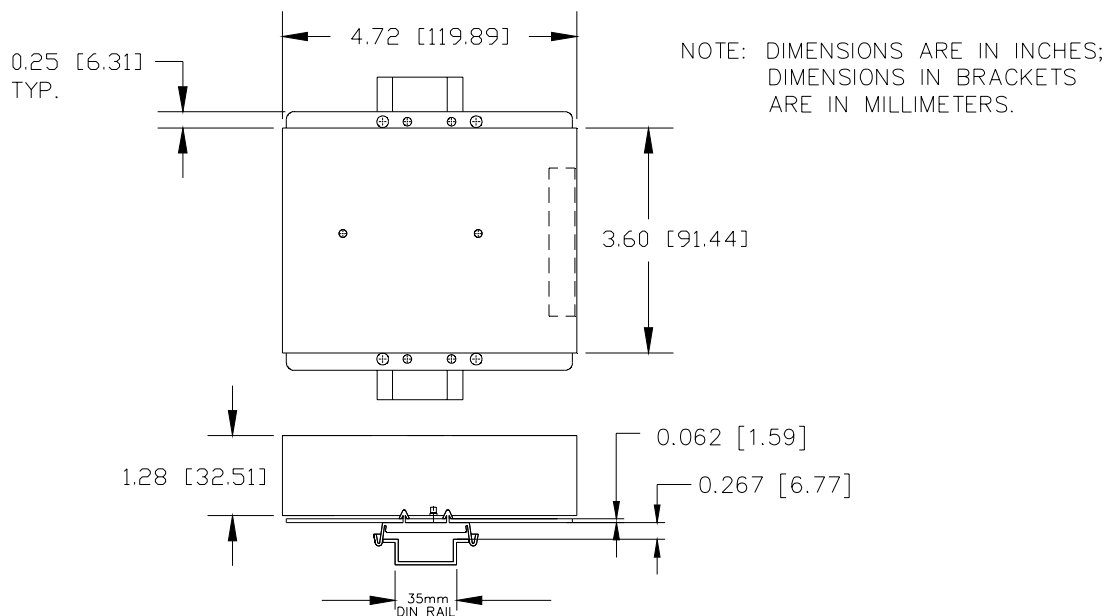


FIGURE 5. POWER SUPPLY WITH KIT INSTALLED, OUTLINE DIMENSIONS